

DIRECT VENT
GAS FIREPLACES

SAVANNAH

Quality is in the Flame

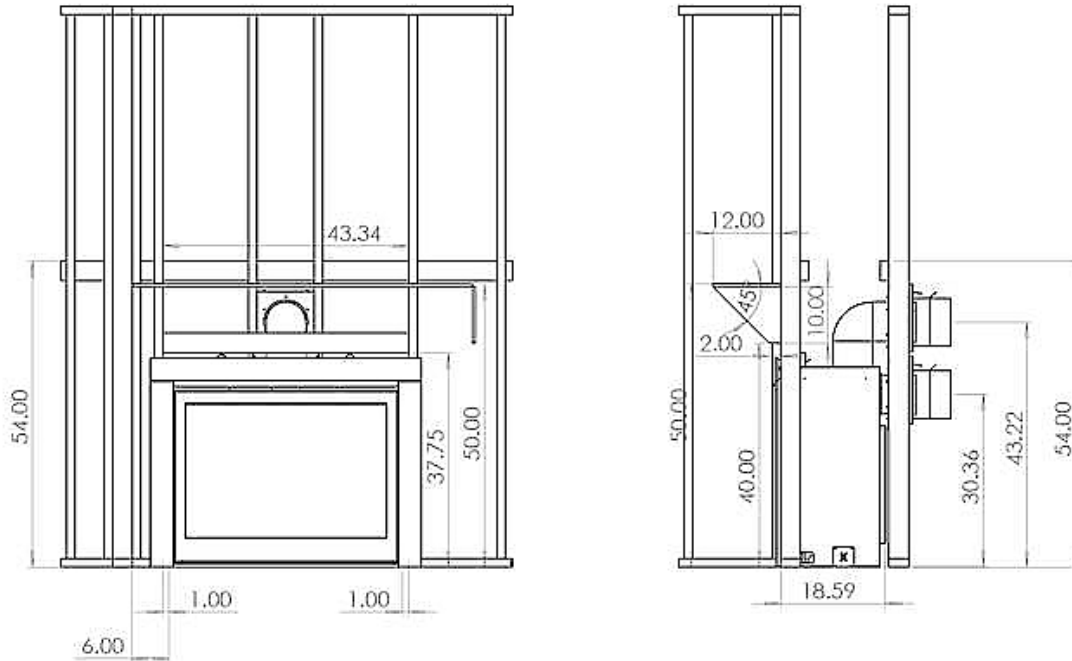


VISION 42



Model	BTU's		Vent	Height		Width		Depth		Viewing Area	
	Natural Gas	Propane		Actual	Framing	Actual	Framing	Actual	Framing	Height	Width
Vision 42	Hi 31,000	26,000	Top/Rear 4" & 7"	37.28"	37.75"	41.19"	43.34"	18.03"	18.59"	23-1/2"	35.62"
	Lo 19,000	19,250									

FRAMING DIMENSION:



FRAMING DIMENSIONS 43.34" W x 37.75" H x 19" D

*COMES STANDARD WITH:

- SAFETY SCREEN
- FULL DELUXE SYSTEM (W/ FAN & REMOTE)
- 9 PC CHARRED BIRCH LOG SET
- HERRINGBONE CERAMIC BRICK LINER
- 3 PC STANDARD BLACK SURROUND

Clean Face—without surround

